

FUNCTIONAL DESCRIPTION

NOTE:

The information contained in this Instruction Manual is designed to assist you in the safe operation and maintenance of the power tool.

NEVER operate, or attempt any maintenance on the tool unless you have first read and understood all safety instructions contained in this manual.

Some illustrations in this Instruction Manual may show details or attachments that differ from those on your own power tool.

NAME OF PARTS

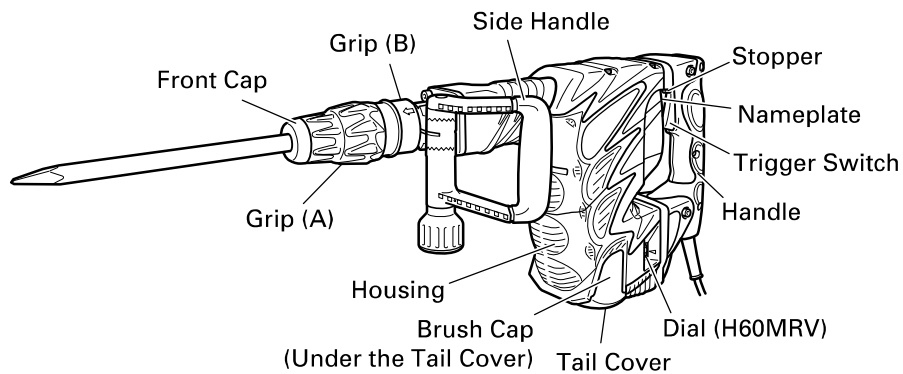


Fig. 1

SPECIFICATIONS

Model	H60MR	H60MRV
Motor	Single-Phase, Series Commutator Motor	
Power Source	Single-Phase, 120 V AC 60Hz	
Current	11.8 A	12.5 A
Full-load Impact Rate	1,650/min.	930 – 1,650/min.
Weight	23.1 lbs (10.5 kg)	